

GE-P60-235/240/245

Electric Parameters

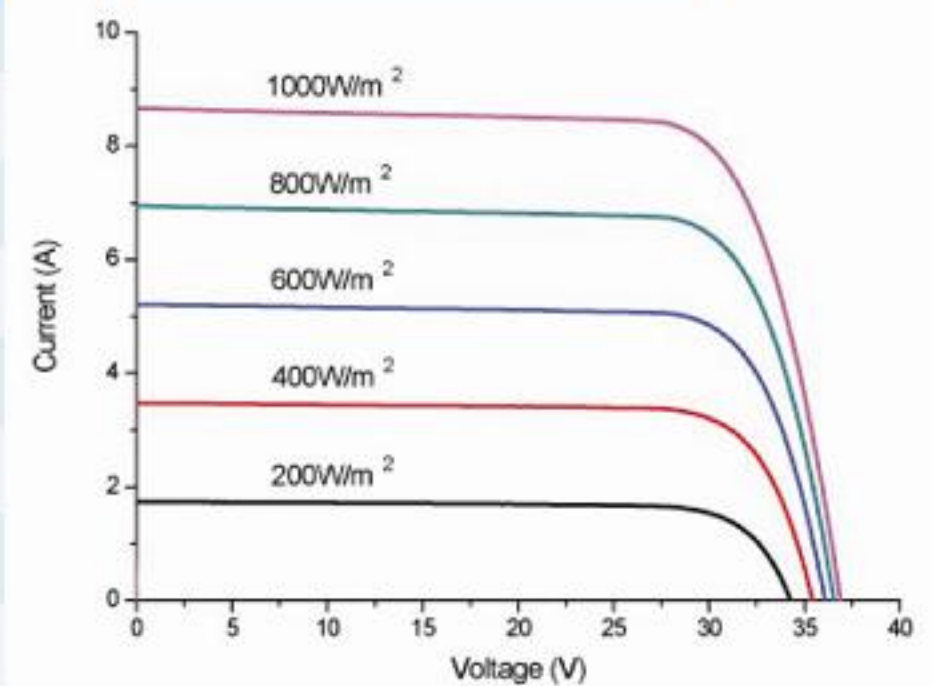
Type	GE-P60-235	GE-P60-240	GE-P60-245
Maximum Power at STC(Pmax/W)	235	240	245
Maximum Power Voltage (Vmp/V)	29.58	29.90	30.21
Maximum Power Current(Imp/A)	7.95	8.03	8.11
Open Circuit voltage(Voc/V)	37.24	37.54	37.71
Short Circuit Current (Isc/A)	8.49	8.53	8.60
Module Efficiency [%]	14.4	14.7	15.0
Power tolerance		0~+3%	
Temperature Coefficient of Pmax		-0.45%/°C	
Temperature Coefficient of Isc		+0.06%/°C	
Temperature Coefficient of Voc		-0.37%/°C	
Standard Test Condition (STC)	Irradiance 1000W/m ² , Module Temperature 25°C, AM1.5		



Mechanical Parameters

Cell (quantity/type/dimension)	60(6×10)/poly/156mm×156mm
Front glass (material/thickness)	High transparency, low-iron tempered glass/4.0mm
Frame	Anodized aluminum alloy
Junction Box	IP65 rated, with 6 bypass diodes
Dimension	1650×990×40/45/50mm
Weight	19.5Kg
Cable	900mm, 4mm ²
Connector	MC4 or MC4 compatible

I-V Curve

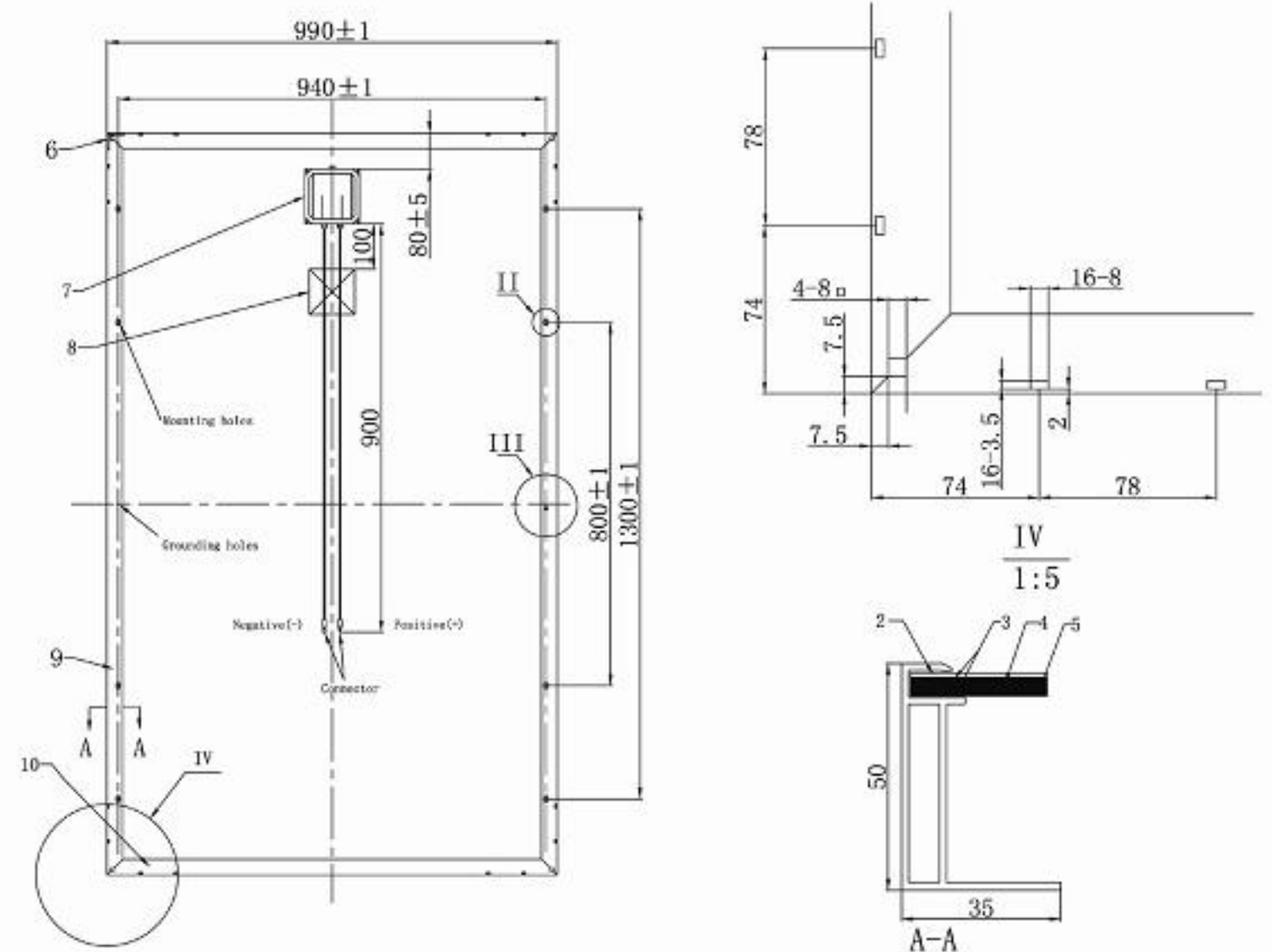


Operating Conditions

Max. System Voltage	1000V
Max. Series fusing rating	15A
Operational Temperature	-40~+85°C
NOCT	45±2°C
Max. Wind load/ Max. snow load	2400Pa/5400Pa
Max. Hail impact (Diameter/Velocity)	25mm/23m/s

Packaging Information

Container	20'GP	40'GP	40'HQ
Pieces per pallet	21		
Pallets per container	28		
Pieces per container	546		



Guarantee

12.5 years Products Warranty

Performance Warranty:

10 years at 90% of the minimal rated power output,

25 years at 80% of the minimal rated power output.

Certificate

CE, IEC61215, IEC61730, PV Cycle

